

TWO WIRE SELF CONTAINED OUTPUT (LOW CURRENT)

Where 2 wire mechanical switches (limit switches) are to be replaced by DC switches without fresh cables, the DC switch must be a two wire switch. NO Output.

Falls mechanische 2 Draht Schalter durch DC Schalter zu ersetzen sind, (ohne neue Verkabelung) kommen nur 2 Draht DC Schalter in Frage.



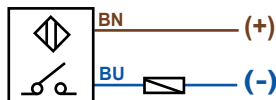
Model

NJ 10-30 GM ZS

Feature

10 mm Sensing Range
2 wire DC

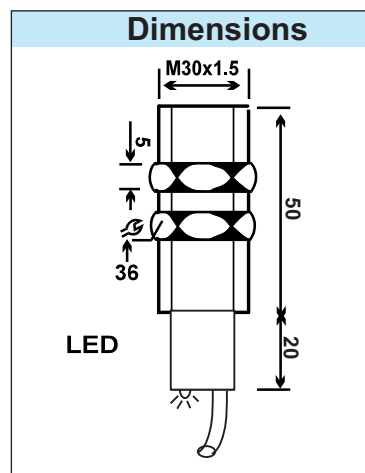
Connection Diagram



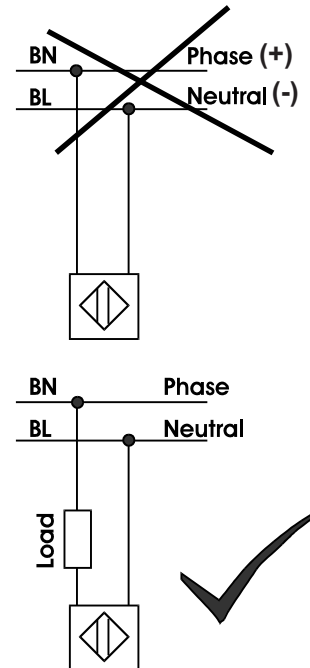
For Z Type

FLUSH

Metal Housing
PVC Cable 2 m, 0.34mm²
LED, IP-67 Protection
Temperature : -20 to +70°C



Do not connect Proximity switch to AC mains without a load.



Technical Data

Operating Voltage	5-40 VDC
Assured operat.dist. S a [mm]	0 ...8.1
Continuous Load Current	2- 50 mA
Current Consumption	<1mA
Voltage Drop.	<5V
Standard Target(Ferrous) - mm	30 x 30 x 1
Switching Hysteresis	<5%
Switching Frequency	300Hz
EMC Test	IEC 801

Ordering Chart

TWO WIRE DC(NO) **NJ 10-30 GM ZS (Art.No. SID 104 M2)**

AS THE MARKET REQUIRES A CONTINUOUS UPDATE / IMPROVEMENT DATA IS SUBJECT TO CHANGE WITHOUT NOTICE.

Osna Electronics Pvt. Ltd. was earlier P and F Electronics P. Ltd., founded in the year 1985 as a joint venture up-to 1990 with M/s. Pepperl + Fuchs GmbH, Germany.